



Smart Building Solutions

An Environmental company encompassing basic elements of mother nature

- Incorporated in 1996.
- Restructured in 2004.
- Formerly known as 'The Energy pool'.

VISION STATEMENT

- To take the benefits of Renewable energy sources and Environmental technologies to common man for everyday applications.

QUALITY POLICY

- EPL India Ltd is committed to achieve total customer satisfaction through correct and on Time Installation of Renewable Energy Systems, prompt maintenance and courteous behavior of staff and continual improvement in service quality.



The Company

Head Office:

D-31, Sector 7,

Noida 201 301, U.P. India

Phone : 91-9871292620

Mail : info@eplindia.co

EPL India Limited Noida office caters to direct sales of

- Delhi
- Haryana
- Uttar Pradesh
- Rajasthan
- Uttarakhand
- Punjab
- Himachal
- Jammu



We at EPL strongly believe that our biggest asset is ***our people***. We attribute EPL's success to the dedicated people who are free to develop their vision in creative thinking, innovation in designs, selling. It is important as EPL's team has to contribute significantly towards fighting an adverse image that solar products carry and create goodwill for the same. We at EPL encourage an critical inter personal relationship both within the organization and our customers.



Domestic Hot Water Systems

Heat Pumps

Commercial Hot Water System

Pool Heating

Solar Photovoltaic Systems

Domestic Hot Water Systems



Solpower

INDIRECT HEATING SYSTEM

We have had traditionally open circuit water heating systems in the market whereby the solar systems are choked by harsh water heating in the collectors, which stops functioning.

EPL pioneered in the introduction of closed circuit technology by providing indirect heating system. Solpower solar water heating system is a heat exchanger. It has a thermic fluid which heats the water in the tank and hence no deposition takes place. SS lined tank takes care of corrosion in the tank. The systems come with long warranty period of five years.

It translates in gaining customer's confidence in solar product and company.



200 LITRES



300 LITRES



450 LITRES



Domestic Mid Segment



Domestic Hot Water Systems

Heat Pumps

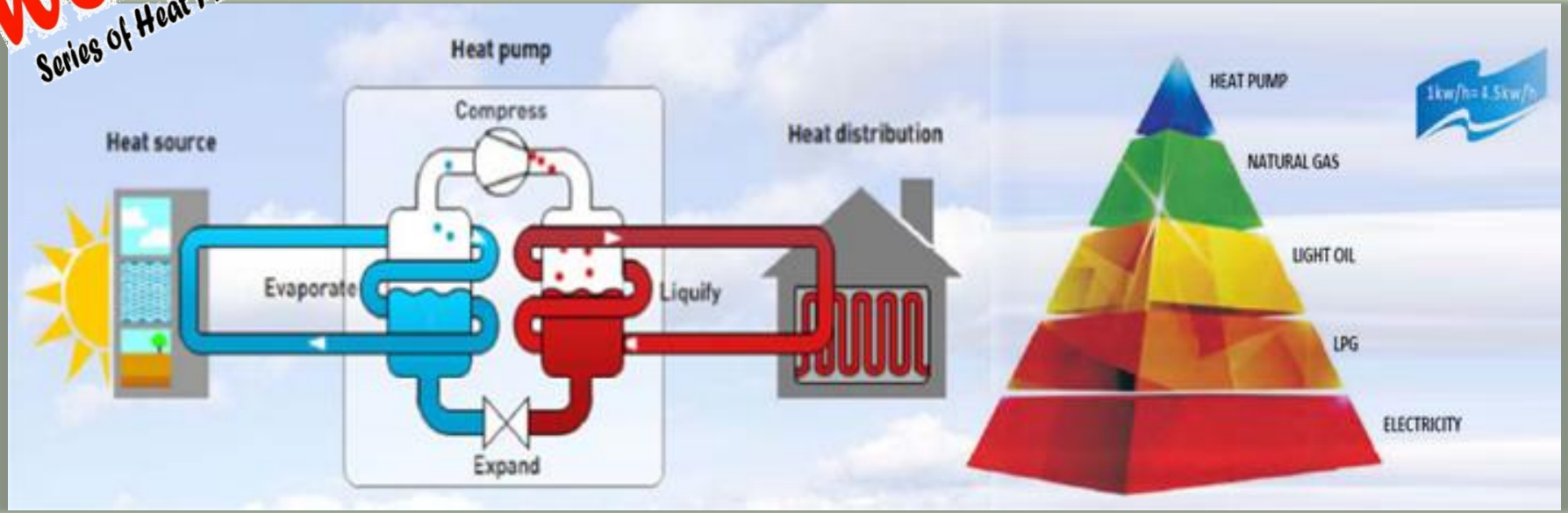
Commercial Hot Water System

Pool Heating

Solar Photovoltaic Systems

Wonder
Series of Heat Pumps

Capturing Renewable Energy



Heat Pumps uniquely convert unused “ambient heat” into heat of utilizable temperatures, by inputting a very small amount of primary energy without burning fossil fuels as a source of CO₂ emissions.

Moreover, Heat pumps need electricity that is only about one-fourth in order to collect “one unit of heat”. Therefore, heat pumps produce heat energy that far exceeds the primary energy consumed at power stations, even if the loss in the process of generation of electricity is taken into consideration. For these reasons, Heat pumps can dramatically reduce the damage to the environment.

Installations



ऊर्जा

Solpower



Installations



ऊर्जा

Solpower



Installations



ऊर्जा

Solpower



Installations



ऊर्जा

Solpower



Installations



ऊर्जा

Solpower

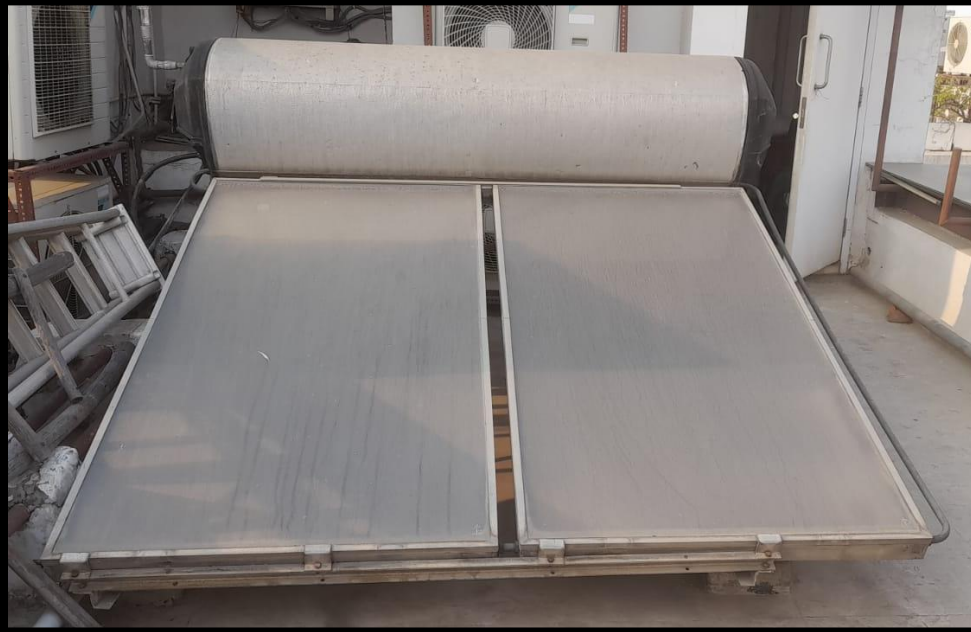


Installations



उर्जा

Solpower



Domestic Hot Water Systems

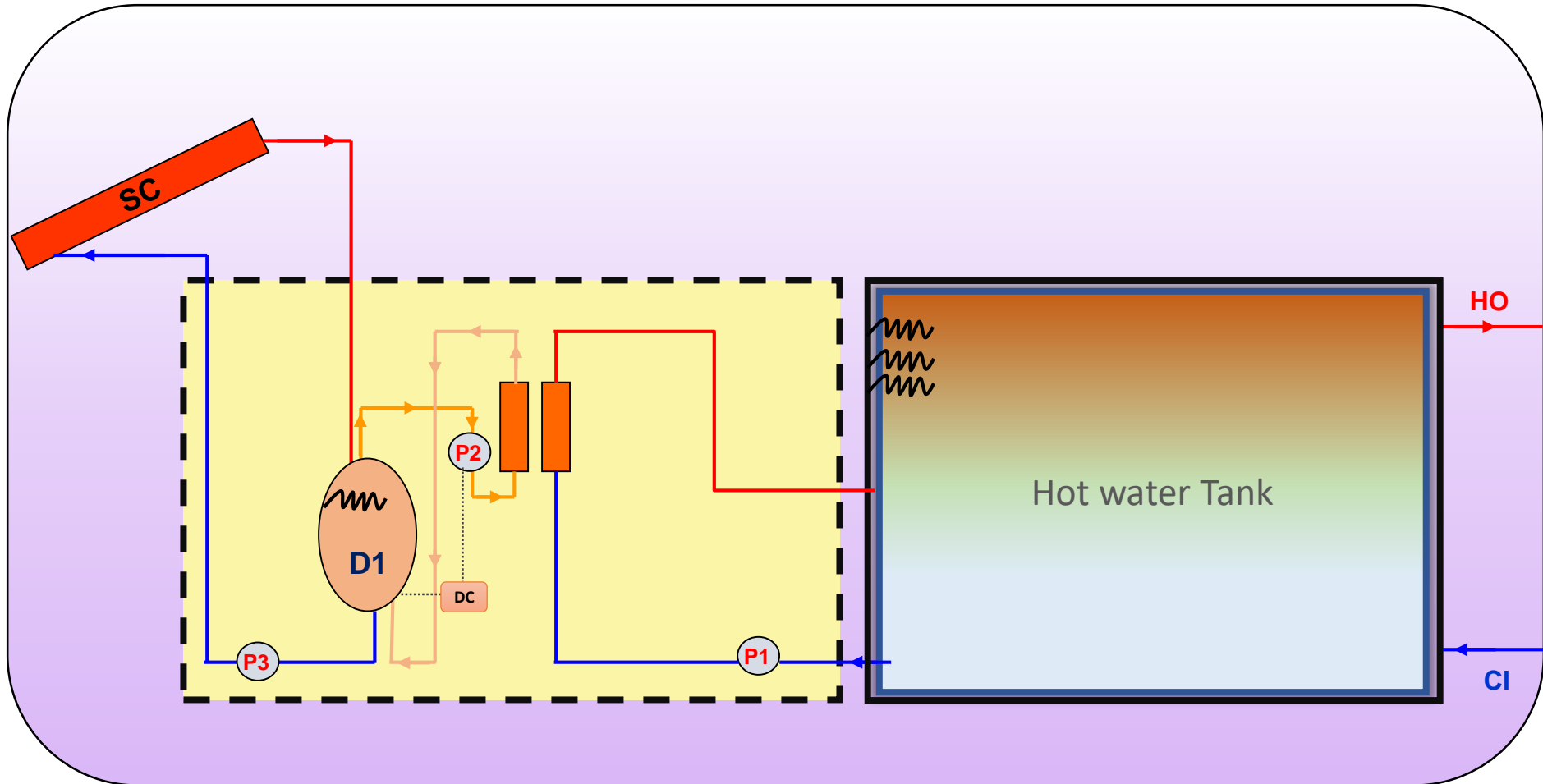
Heat Pumps

Commercial Hot Water System

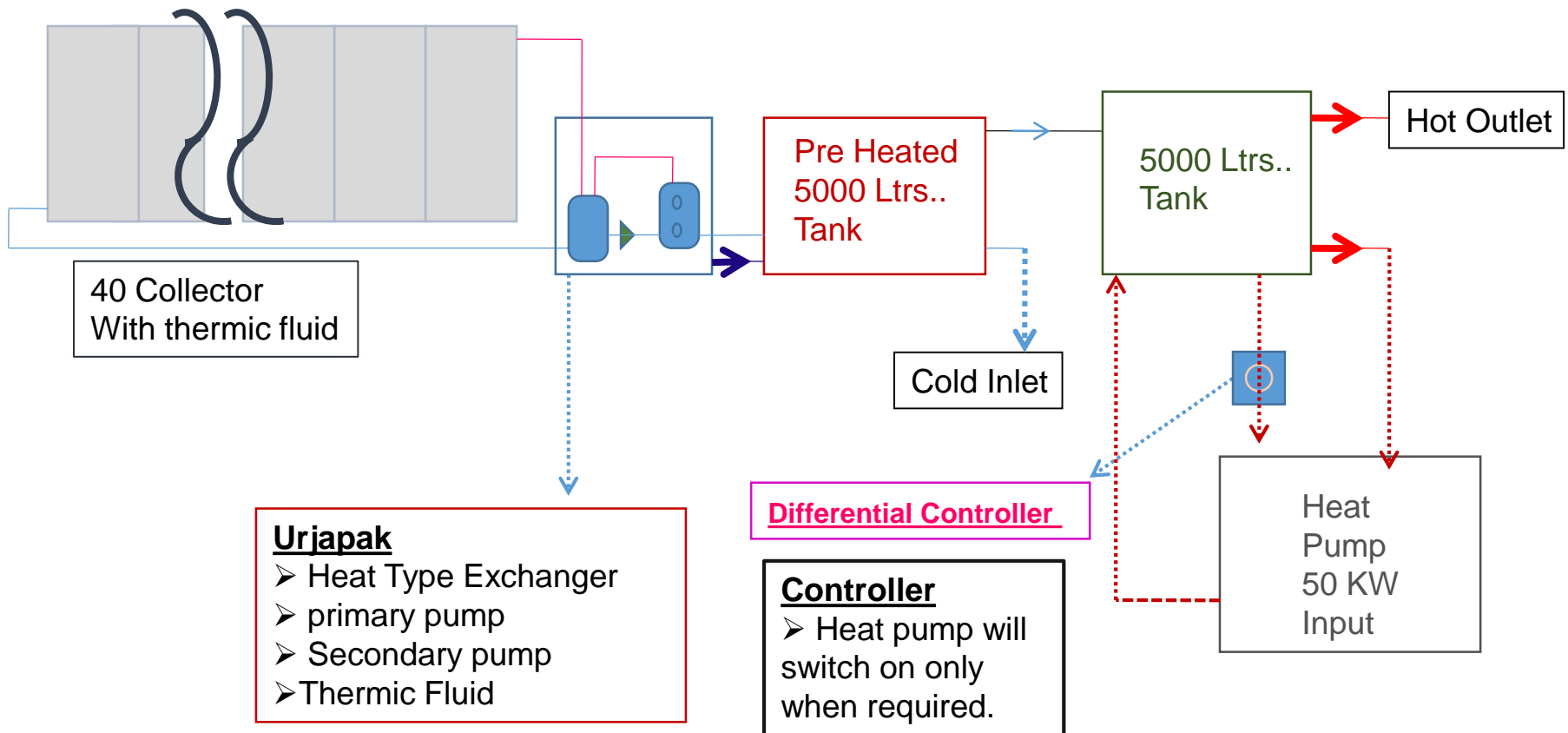
Pool Heating

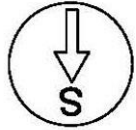
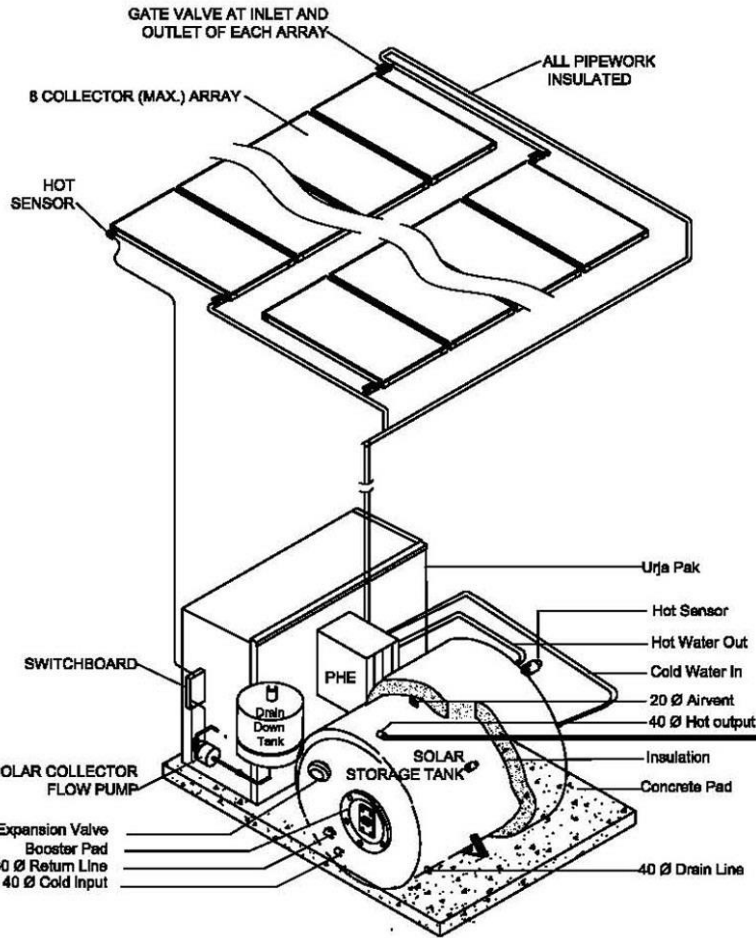
Solar Photovoltaic Systems

Urja Store



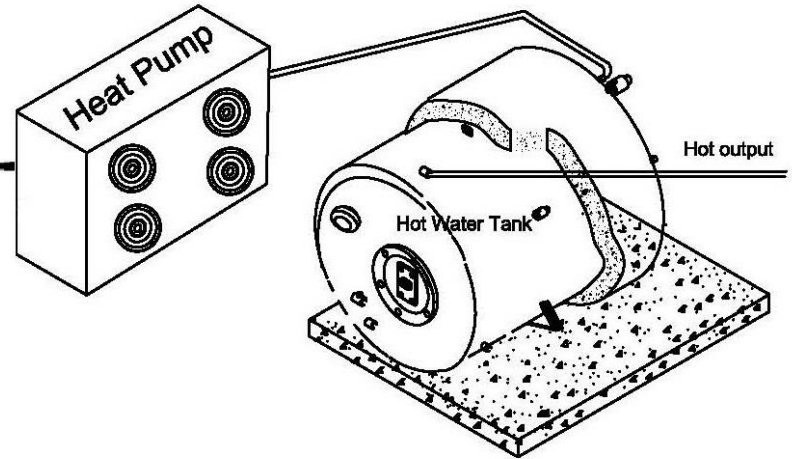
Proposed Hot Water System – Solar + Heat Pump





URJA STORE
 EPL India Limited
 D-51, SECTOR-7
 NOIDA-201301 (U.P.)
 Tel : 91-120-2483836, 37
 Fax : 91-0120-2483833
 Email : solpower@eplindia.com

SCALE	DATE	DESIGN RS	DRAWN RS
DRAWING NO.	REV. NO.	CHECKED RS	
Urjastore with Heat Pump			



Installations



ऊर्जा

Solpower



Installations



ऊर्जा

Solpower



Domestic Hot Water Systems

Heat Pumps

Commercial Hot Water System

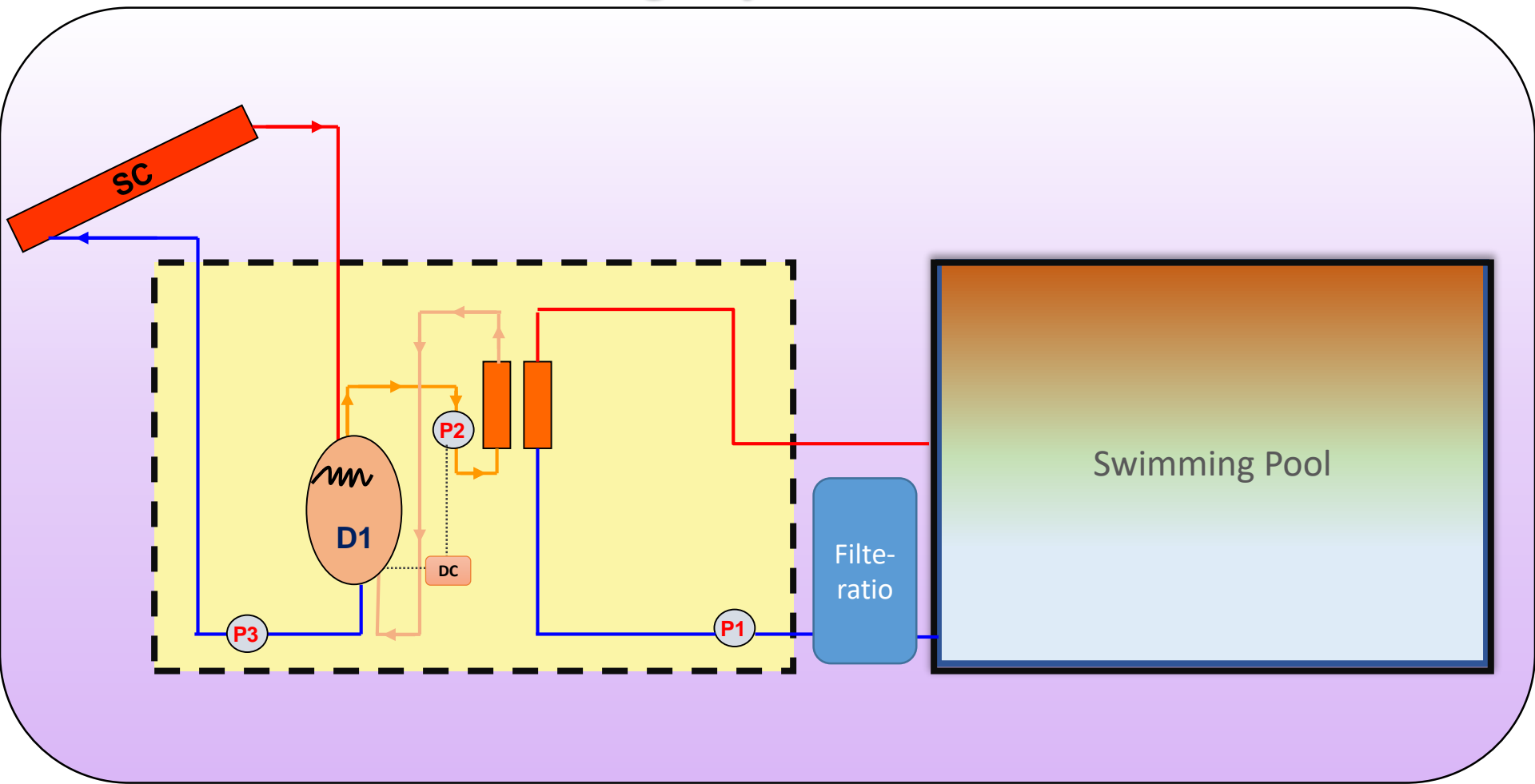
Pool Heating

Solar Photovoltaic Systems

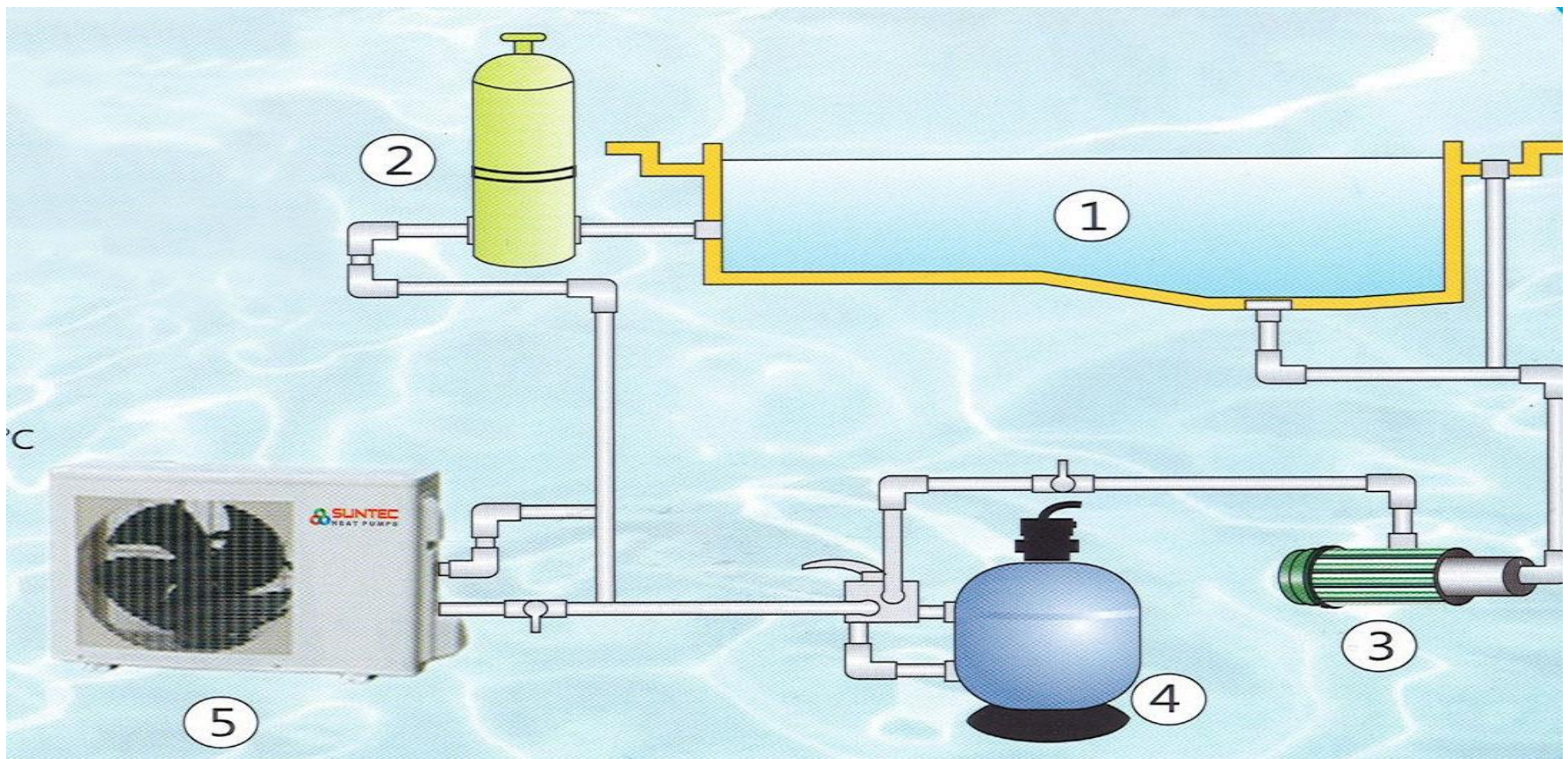
- **Solpower Pool heating system** shall be able to provide you with almost a constant pool temperature throughout the year. **Solpower Collectors** collect the heat the thermic fluid passing through them. This in turn passes through the heat exchanger. The water from the filtration plant is routed the same heat exchanger and gets heated. Automatic controls make the system run flawlessly. This is a very effective method heating your pool through the day from sun.
- Backed by the expertise and technical support by Solpower the pool heating system comes with a comprehensive technical analysis. Every installation is very carefully planned and executed to offer a **warranty of 5 years on collectors.**



Pool Heating System with solar



Pool Heating System with Heat pump



Installations



ऊर्जा

Solpower



Solpower Pool Pak Pool Heating System



POOL COVER

- **Pool covers** are used to keep the heated water from the solar/heat pump warm and clean during the night or when not in use.



Domestic Hot Water Systems

Heat Pumps

Commercial Hot Water System

Pool Heating

Solar Photovoltaic Systems

Photovoltaics

Any solar photovoltaic system works on the principle of generation of current from solar energy by the module. Solar Photovoltaic energy source produce DC electricity Directly from the sunlight and is then converted into AC with the help of the inverter, providing you energy at the desired location.

The SolPower range of power system comprise of a board spectrum system controllers & battery charge regulators and modules. Giving solutions in off grid, hybrid and on grid solar systems.



Solpower Photovoltaic System

S.No	Parameter	Poly Panel	Mono Panel
1.	Capacity of the Solar Module	335 Watts	545 watts
2.	Size of solar Panel	1.9 m x 0.9m x 42 mm	2.6 m x 1.1 m x 35 mm
3.	Area required for 1 Kw of solar panels	7 Sq mtrs	5 sq mtrs



polycrystalline



monocrystalline





ऊर्जा

Solpower



Installations



ऊर्जा

Solpower



Installations



Solpower

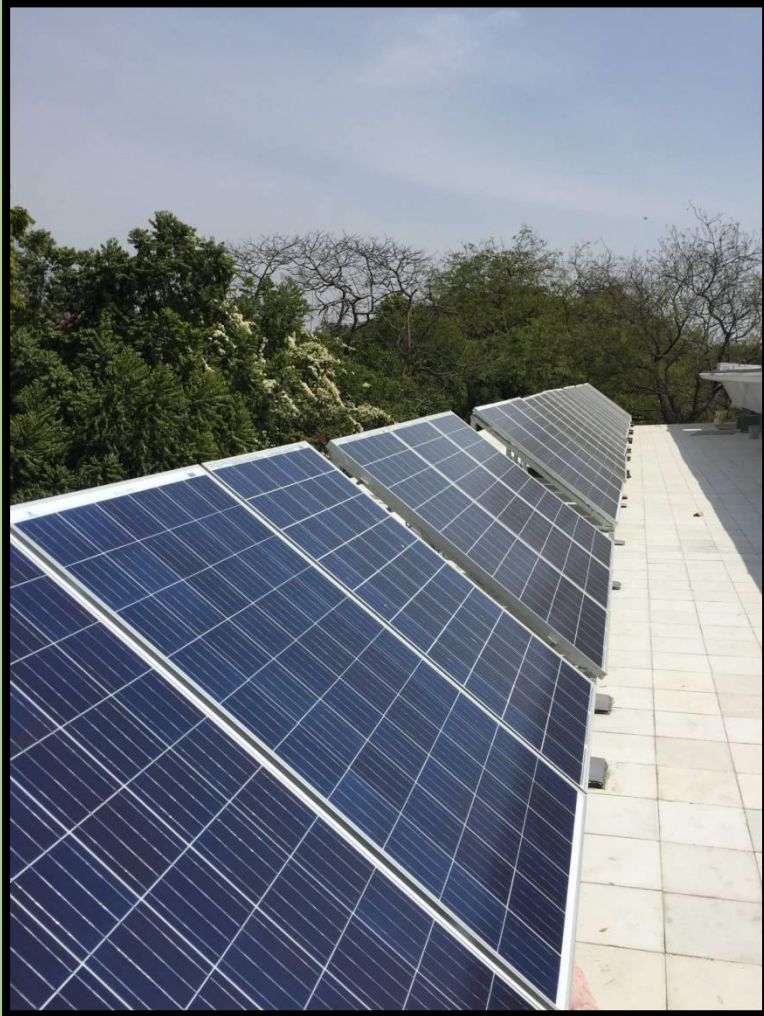


Installations



ऊर्जा

Solpower



Installations



Solpower



Installations



ऊर्जा

Solpower



Installations



Solpower



Installations

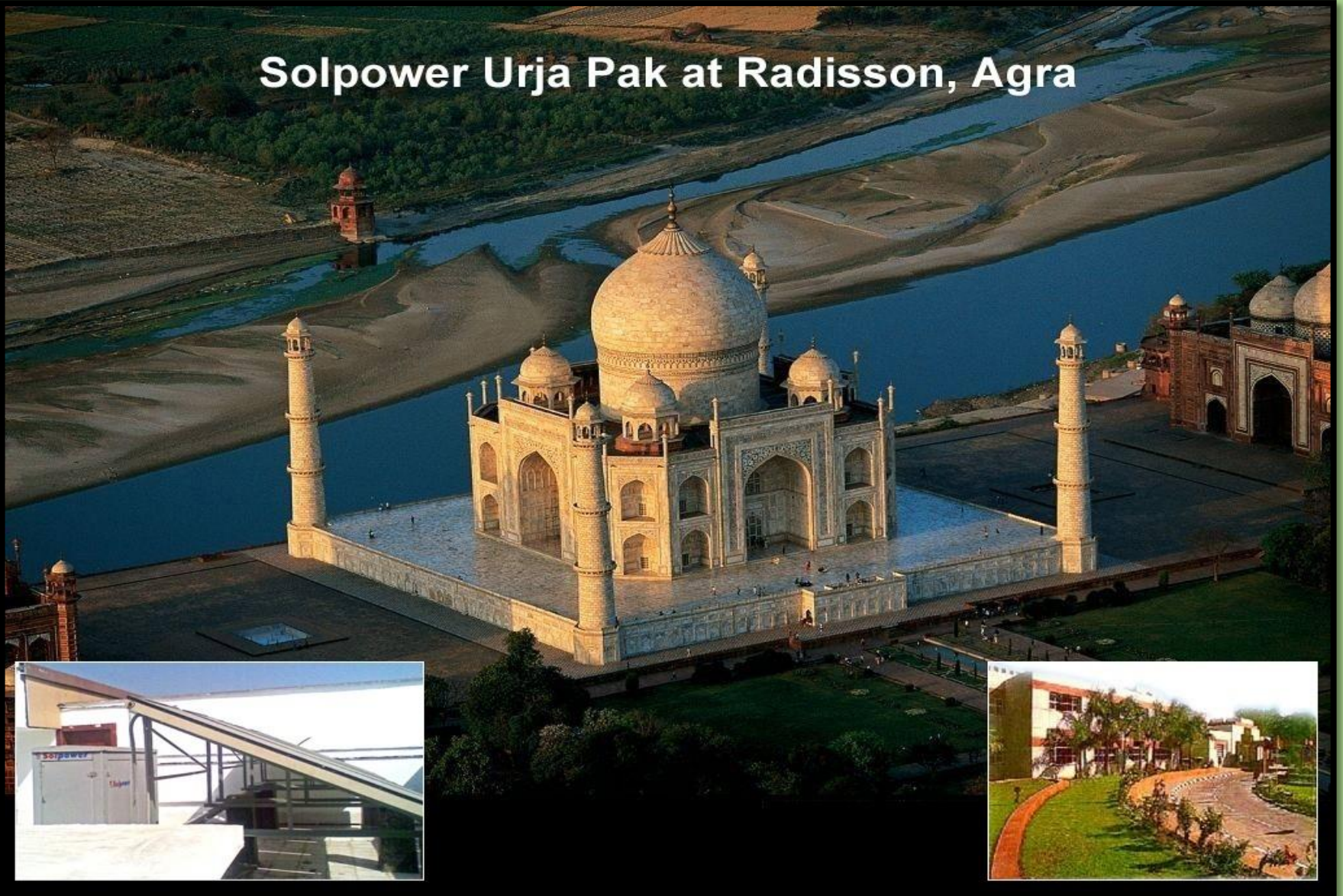


ऊर्जा

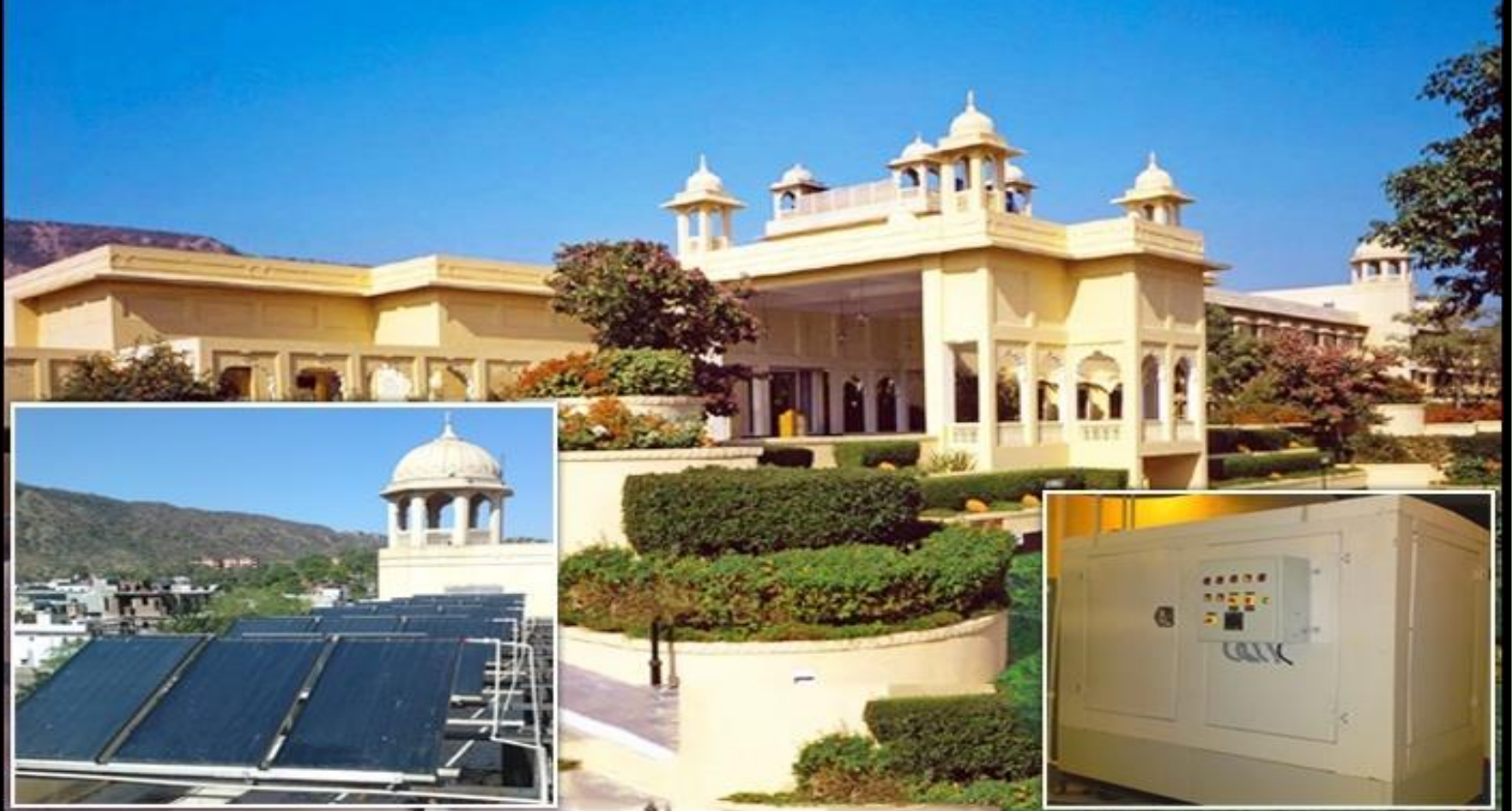
Solpower



Solpower Urja Pak at Radisson, Agra



Solpower Urja Store at Trident Jaipur



Installations



Solpower



Solpower Urja Store at Rajvilas, Jaipur

Solpower Urja Store at Deogarh, Rajasthan



Installations



Solpower



Solpower Urja Pak at Country Inn, Gurgaon

Installations

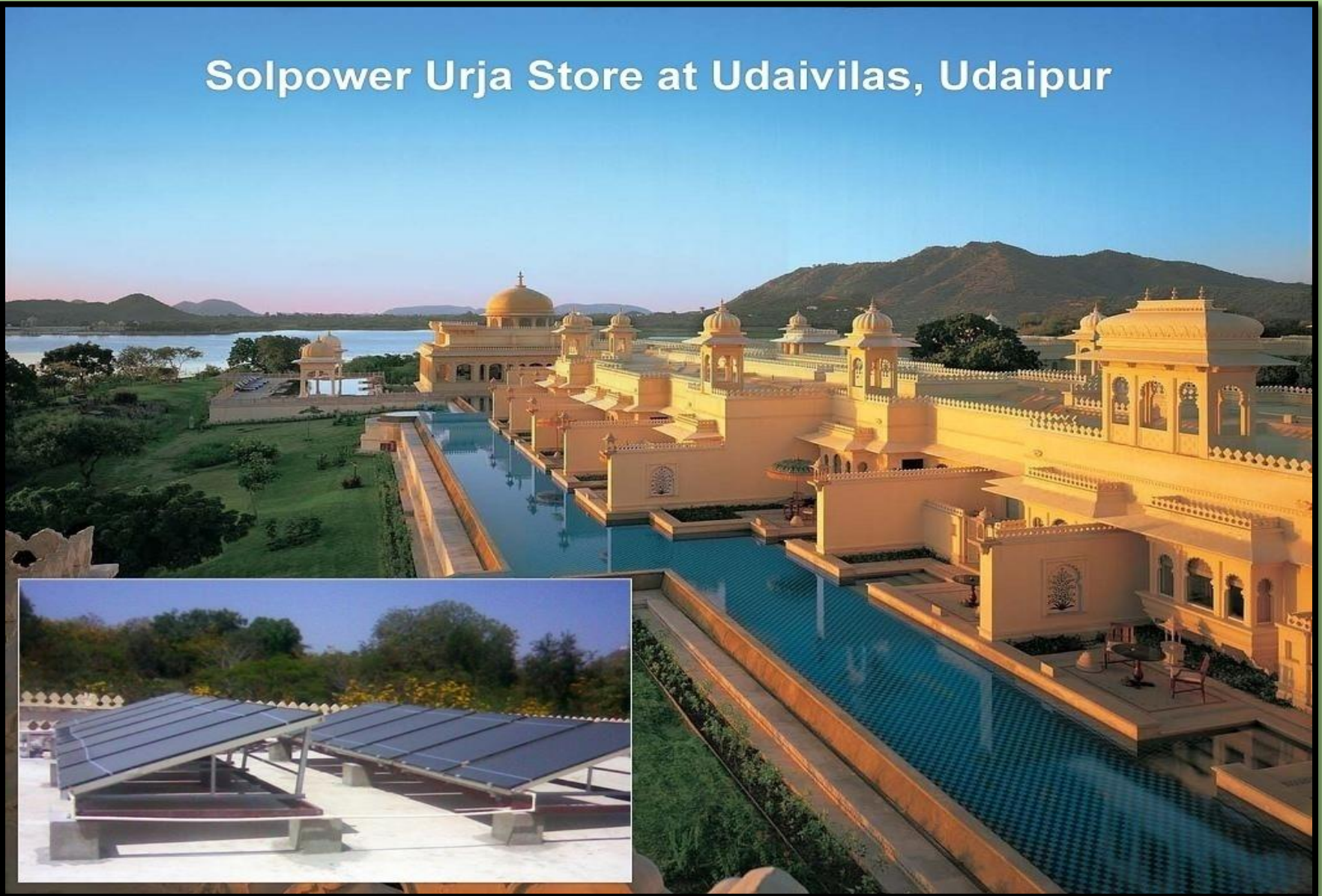


Solpower



Solpower Urja Pak at Leela, Delhi

Solpower Urja Store at Udaivilas, Udaipur



Installations



Solpower



Solpower Urja Store 12000 LPD System at ESI Hospital Noida

Installations



Solpower



Solpower ETA at Indira Gandhi International Airport, New Delhi

Installations



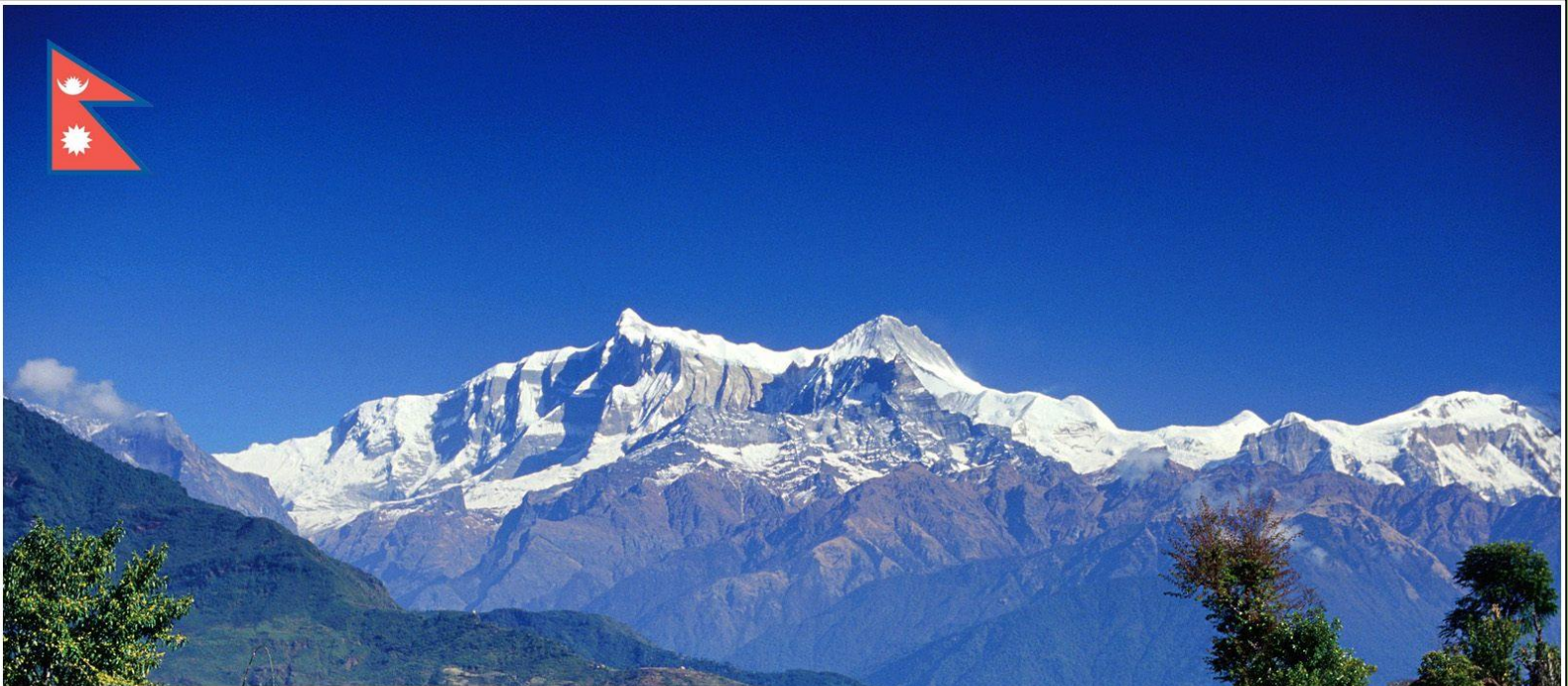
Solpower



Installations



Solpower



Solpower Urja Pak at Soaltee Crowne Plaza, Kathmandu, Nepal

Solpower Urja Store at ITC, Manesar



Installations



ऊर्जा

Solpower



Installations



Solpower



Solpower SWHS at The Westin, Pushkar, Rajasthan

Installations

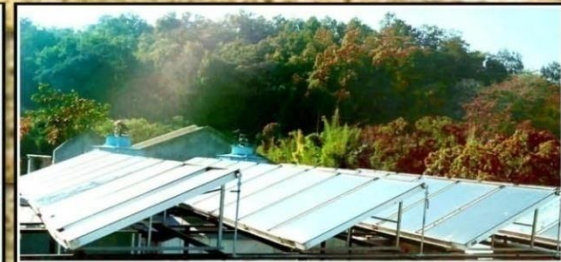
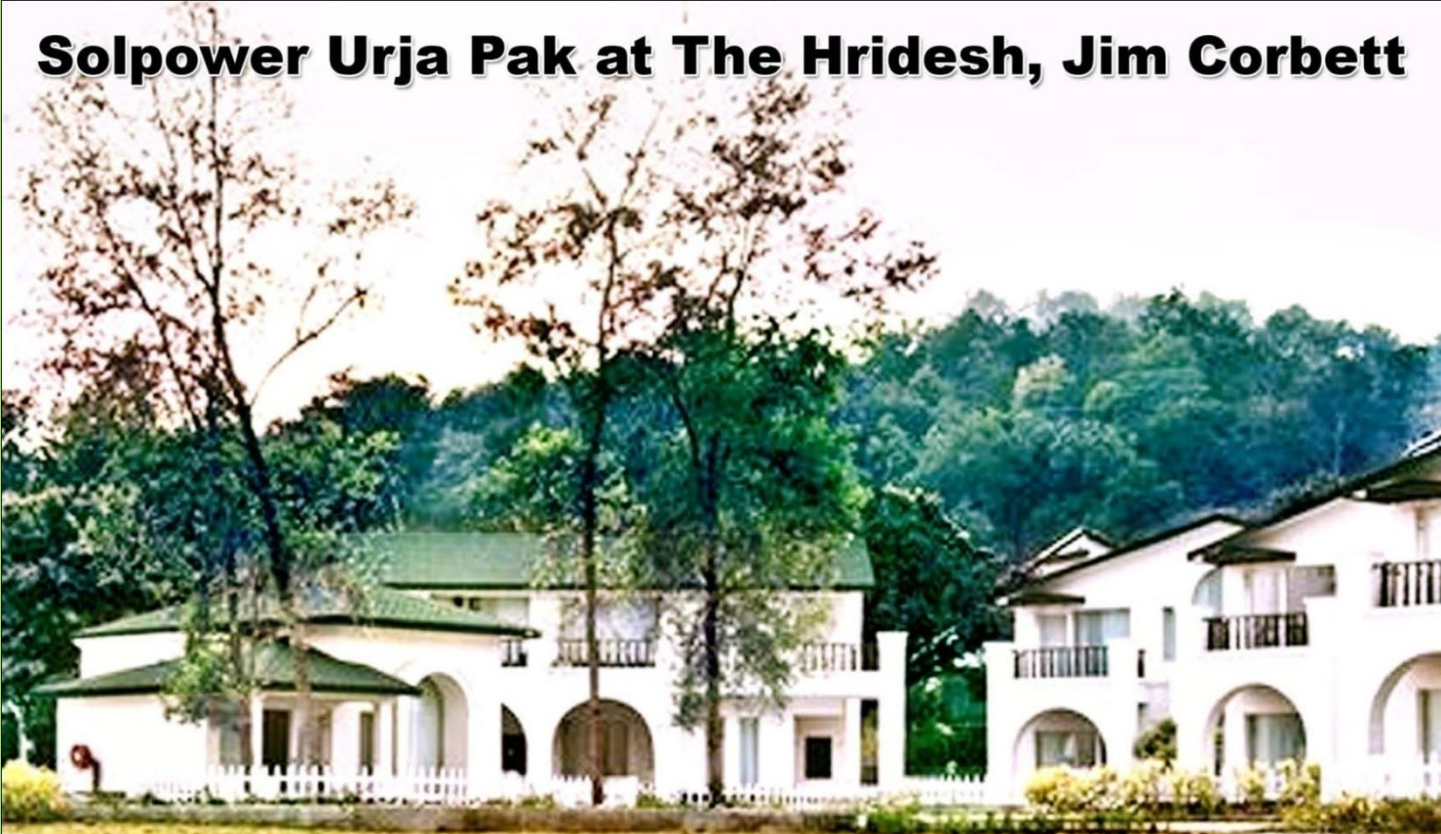


Solpower



Solpower Urja Store 5000 Ltrs at Awas Hotel, Amritsar, Punjab

Solpower Urja Pak at The Hridayesh, Jim Corbett



Installations



Solpower



Solpower Urjapak at Comfort Inn, Alstonia, Amritsar

Installations



Solpower



Solpower Urjapak at Country Inn, Sohna Road, Gurgaon

Installations



Solpower



Solpower Urjapak at The Lalit, New Delhi

THE
LaLIT

Solpower Urjapak at The Lalit, Chandigarh



Solpower Urjapak at Astor Hotel, Agra



Installations



Solpower



Solpower Pool Pak Pool Heating System



Thank you